

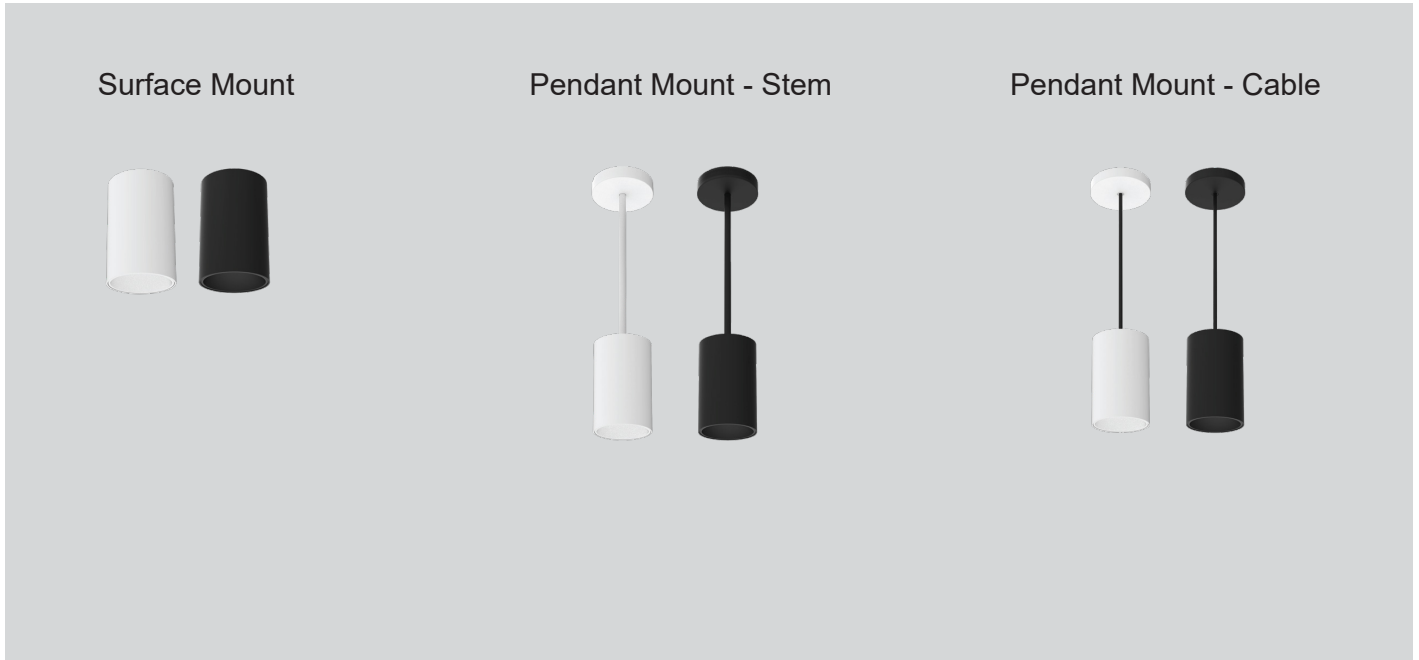
Type: \_\_\_\_\_ Qty: \_\_\_\_\_

Project: \_\_\_\_\_



HELIUM LYTE

# LPC3



## Design Features:

- Made with high powered BRIDGELUX led chip that maintains high lumens per watt with 90+ CRI.
- Available in both TRIAC and 0-10V dimming.
- Available in various mounting options.
- Extruded aluminium heat sink ensures optimal heat dissipation and LED life.
- 5 Year warranty.



Warranty



Damp Rated



TRIAC



Dimming



Intertek



# LPC3

## Specs Code:

FIXTURE ID <b>1</b>	MOUNTING <b>2</b>	FINISH <b>3</b>	REFLECTOR <b>4</b>	LUMENS/ WATT <b>5</b>
LPC3 <b>LPC3</b>	Surface Mount <b>SRF</b> Pendant Mount Stem <b>PENS</b> Pendant Mount Cable <b>PENC</b>	White <b>WH</b> Black <b>BLK</b>	White <b>WH</b> Black <b>BLK</b> Silver <b>SLR</b> Gold <b>GLD</b> Nickel <b>NKL</b>	L1100 / 12W <b>L11/12W</b> L1800 / 20W <b>L18/20W</b>
CRI OPTION <b>6</b>	LED OPTION <b>7</b>	BEAM ANGLE <b>8</b>	DIMMING <b>9</b>	VOLTAGE <b>10</b>
CRI 80+ <b>CRI80</b> CRI 90+ <b>CRI90</b>	2700K <b>27K</b> 3000K <b>30K</b> 3500K <b>35K</b> 4000K <b>40K</b> 5000K <b>50K</b>	20 Degree <b>20D</b> 40 Degree <b>40D</b> 60 Degree <b>60D</b>	TRIAC <b>TRIAC</b> 0-10V <b>DMV</b>	120V <b>120V</b> 120-277V <b>UNV</b>

## Order Guide:

<b>1</b>	<b>2</b>	<b>3</b>	<b>4</b>	<b>5</b>	<b>6</b>
<input type="text"/>	<input type="text"/>	<input type="text"/>	<input type="text"/>	<input type="text"/>	<input type="text"/>
<b>7</b>	<b>8</b>	<b>9</b>	<b>10</b>		
<input type="text"/>	<input type="text"/>	<input type="text"/>	<input type="text"/>		

\*Example : LPC3-SRF-WH-BLK-L11/12W-CRI80-40K-60D-TRIAC-UNV

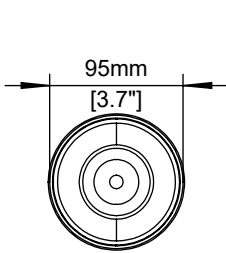




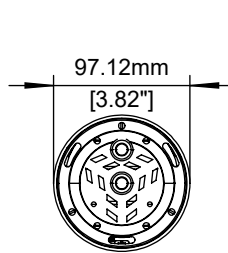
# LPC3

## Product Details:

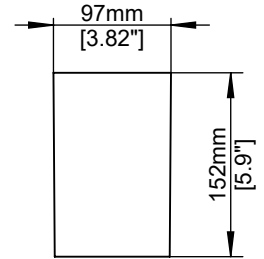
### Surface Mount



Top View



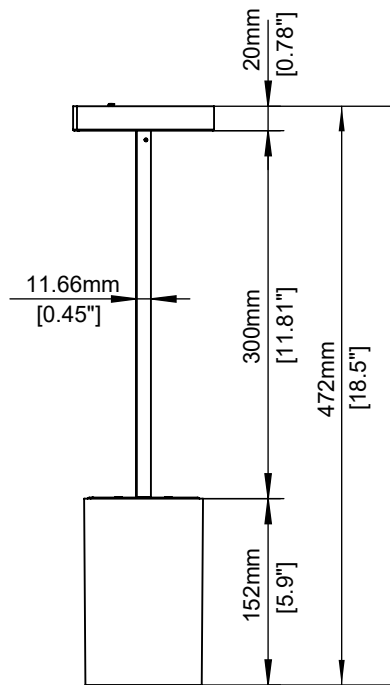
Bottom View



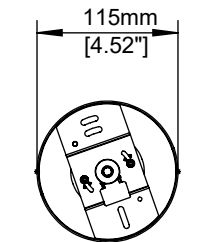
Side View

### Pendant Mount - Stem

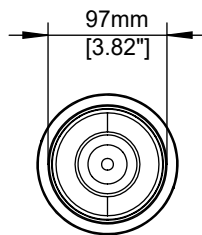
### Pendant Mount - Cable



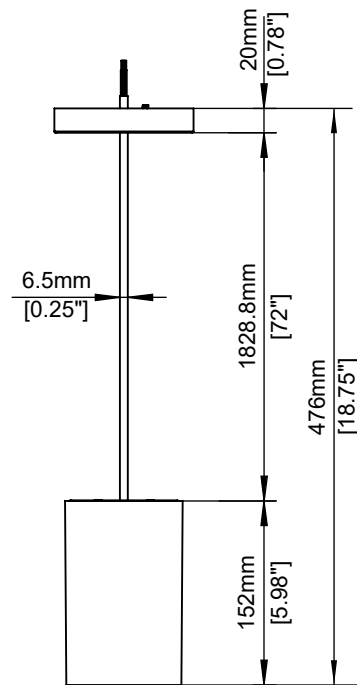
Side View



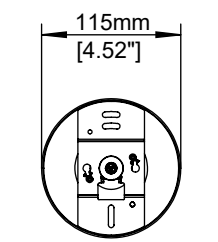
Bottom View



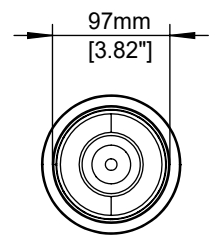
Top View



Side View



Bottom View



Top View



Warranty



Damp Rated



TRIAC



Dimming

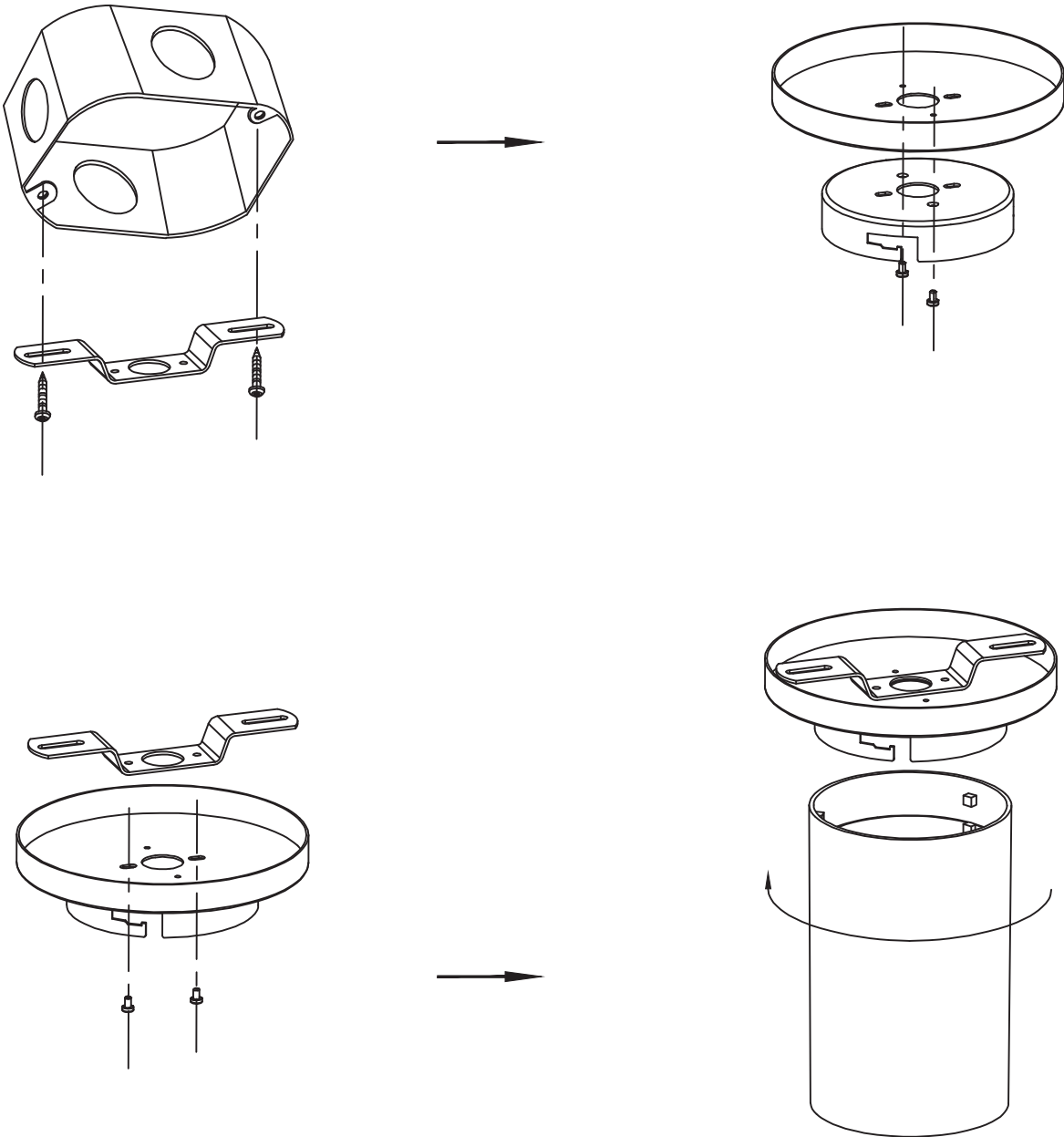


Intertek



# LPC3

## Surface Mounting Details:



Warranty



Damp Rated



TRIAC



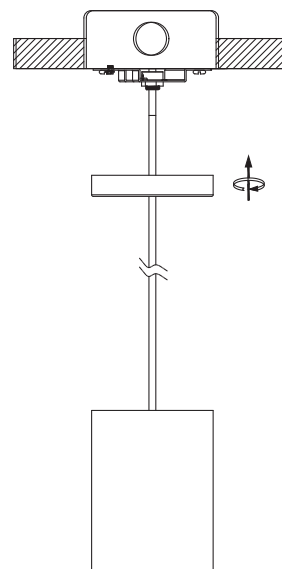
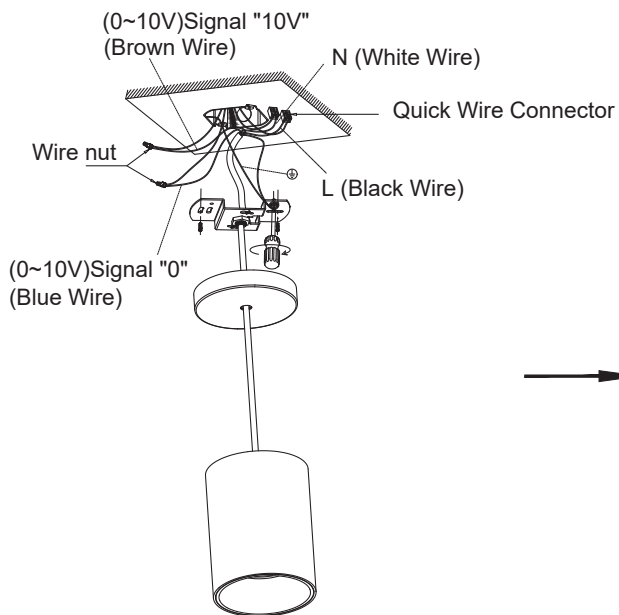
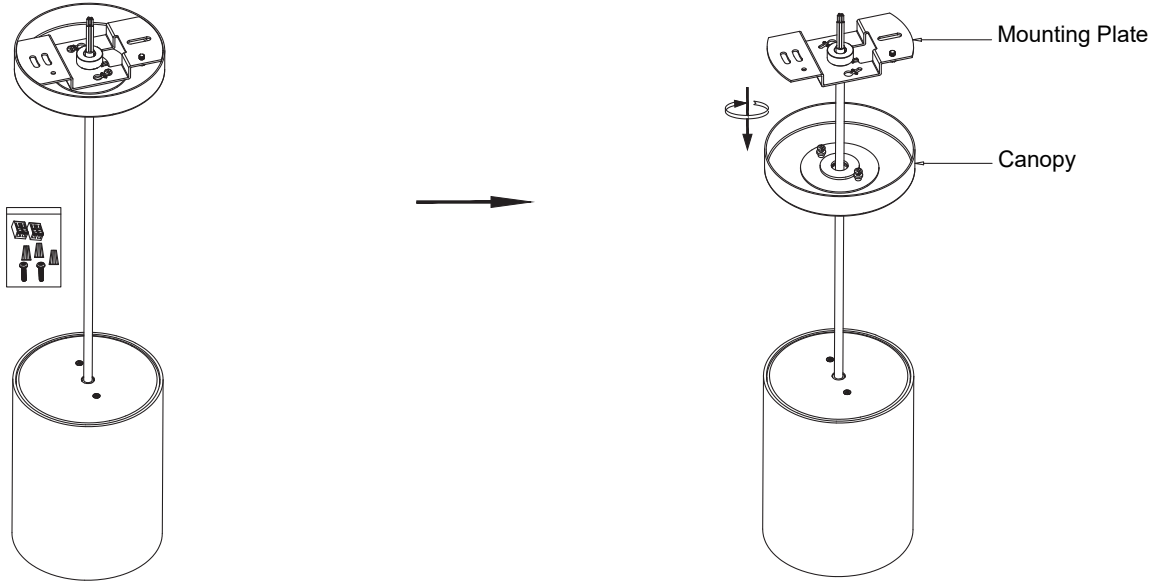
Dimming



Intertek

# LPC3

## Pendant Mounting Details:

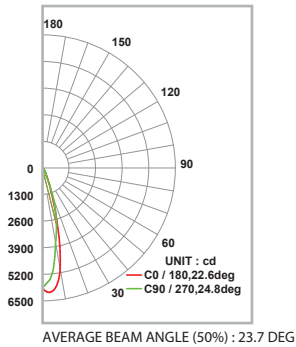




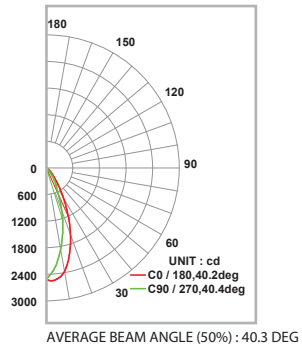
# LPC3

## Photometric:

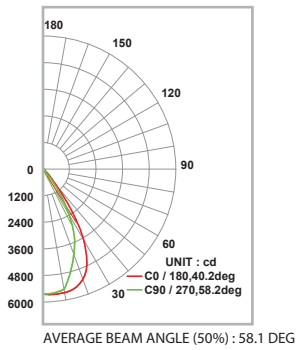
### 20° LIGHT DISTRIBUTION DIAGRAM



### 40° LIGHT DISTRIBUTION DIAGRAM



### 60° LIGHT DISTRIBUTION DIAGRAM



## Lighting Chart:

WATT	LUMENS	CCT	CRI
12W	1100 lm	3500K	CRI80
20W	1800 lm	3500K	CRI80





# LPC3

## Technical Details:

Material	Aluminium
Trim Finish	White / Black
Lumens	Upto 1800lm
Wattage	12W / 20W
Efficacy	90 Lm/W
UGR	<19
CRI	80+ / 90+
CCT	2700K / 3000K / 3500K / 4000K / 5000K
Beam Angle	20° / 40° / 60°
Dimming	TRIAC / 0-10V
Voltage	120V / 120-277V
Operating Temp.	-30°C ~ 40°C (-22°F ~ 104°F)
Mounting	Surface Mount / Cable Pendant Mount
	/ Stem Pendant Mount
Certification	ETL LISTED / DAMP RATED

