

Type: _____ Qty: _____

Project: _____



HELIUM LYTE

INSPIRA 2



Design Features:

- Inspira 2D fixed 2" Downlight offers specification-grade performance and features, in a completely modular & field-configurable system. Every light engine integrates with any of the trims, and every trim works with all of the ceiling application and housing options.
- Made with high powered BRIDGELUX led chip that maintains high lumens per watt with 90 +CRI / Fixture comes with both Single CCT and Dim To Warm options.
- Available in both TRIAC and 0-10V dimming.
- Standard remodel installation, new construction housing available.
- LED modules and drivers are easily replaceable.
- Modules are IC Rated available in wattage up to 14W without additional IC box.
- Extruded aluminium heat sink ensures optimal heat dissipation and LED life.
- 5 Year warranty.



INSPIRA 2

Specs Code:

FIXTURE ID 1	TRIM OPTION 2	TRIM FINISH 3	LUMENS/ WATT 4	CRI / LED OPTION 5
Inspira 2- Single Colour	Round Trim RD	White WH	L700 / 09W L07/09W	90 CRI / 2700K 927
	Round Trimless RDTRL	Black BK	L1200 / 14W L12/14W	90 CRI / 3000K 930
	Square Trim SQ	Custom Colour CC		90 CRI / 3500K 935
Inspira 2- Multi Colour	Square Trimless SQTRL			90 CRI / 4000K 940
				90 CRI / 5000K 950
				90 CRI / 5CCT* 90/5CCT
BEAM ANGLE 6	DIMMING 7	VOLTAGE 8		
15 Degree 15D	TRIAC TRIAC	120V 120V		
24 Degree 24D	0-10V DMV	120-277V UNV		
36 Degree 36D				
60 Degree 60D				

*5CCT and DTW options are exclusively available with the INS2DMC Multi-Colour model.

Order Guide:

1	2	3	4	5	6
<input style="width: 100px; height: 30px;" type="text"/>	<input style="width: 100px; height: 30px;" type="text"/>	<input style="width: 100px; height: 30px;" type="text"/>	<input style="width: 100px; height: 30px;" type="text"/>	<input style="width: 100px; height: 30px;" type="text"/>	<input style="width: 100px; height: 30px;" type="text"/>
7	8				
<input style="width: 100px; height: 30px;" type="text"/>	<input style="width: 100px; height: 30px;" type="text"/>				

*Example : INS2DMC-RD-BK-L07/09-930-60D-TRIAC-UNV

Accessories :

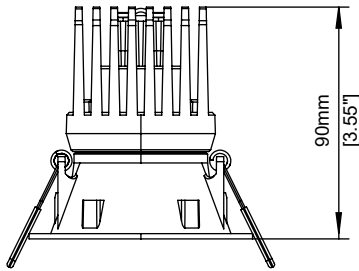
	For Round [503046]	For Square [503047]
New Construction Plate		



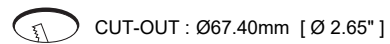
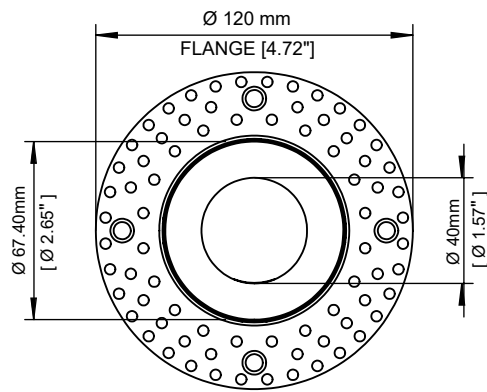
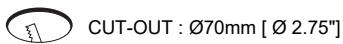
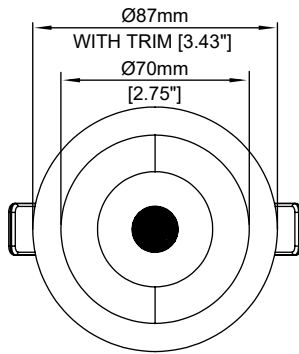
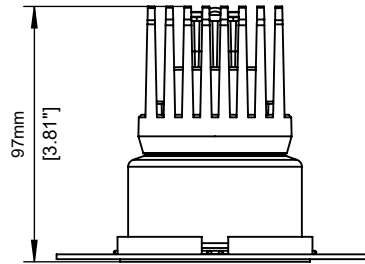
INSPIRA 2

Product Details:

Round Bevel Trim Fixed - 9W



Round Bevel Trimless Fixed - 9W



*All Dimensions are millimeters (Inches) unless otherwise indicated.



Warranty



Damp Rated



TRIAC



Dimming

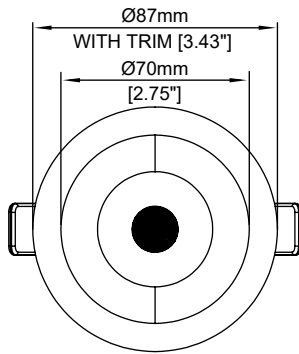
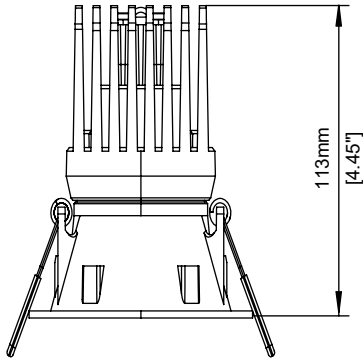



Intertek

INSPIRA 2

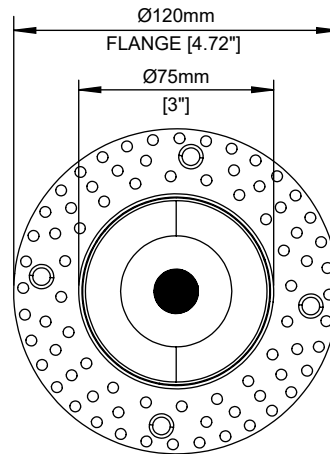
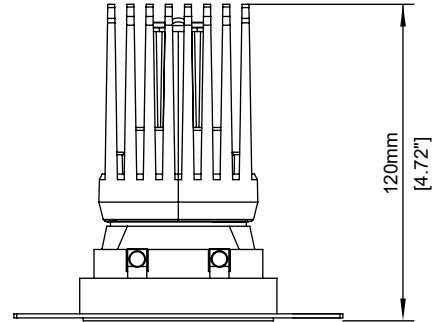
Product Details:


Round Bevel Trim Fixed - 14W



 CUT-OUT : Ø70mm [Ø 2.75\"/>

Round Bevel Trimless Fixed - 14W



 CUT-OUT : Ø75mm [Ø 3\"/>

*All Dimensions are millimeters (Inches) unless otherwise indicated.

 **5**
Year
Warranty

 **IP44**
Damp Rated

 **TRIAC**

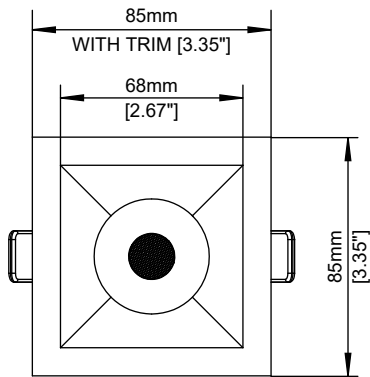
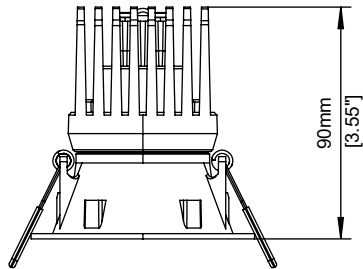
 **0-10V**
Dimming


 **ETL**
Intertek US

INSPIRA 2

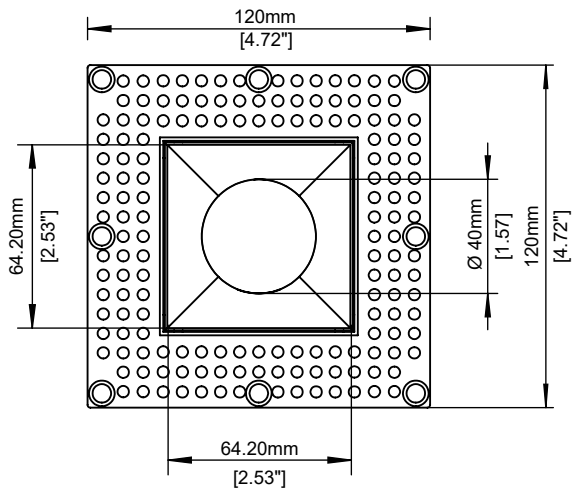
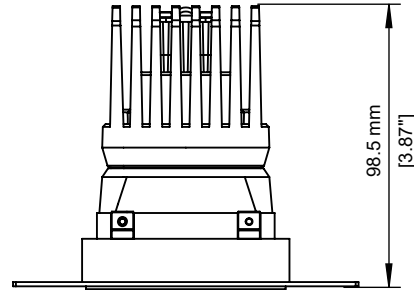
Product Details:


Square Bevel Trim Fixed - 9W



 CUT-OUT : 68mm [2 3/4"] X 68mm [2 3/4"]

Square Bevel Trimless Fixed - 9W



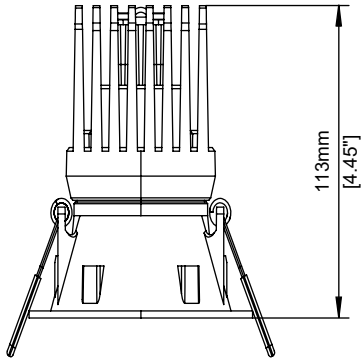
 CUT-OUT : 64.20mm [2.53"] X 64.20mm [2.53"]

*All Dimensions are millimeters (Inches) unless otherwise indicated.

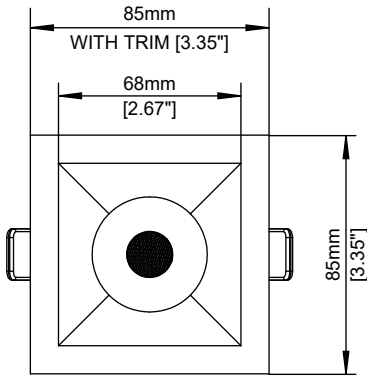
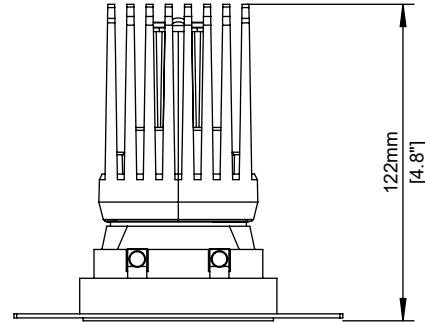
INSPIRA 2


Product Details:

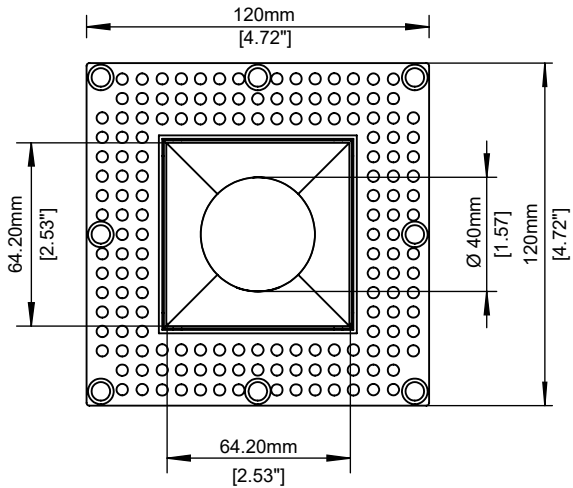
Square Bevel Trim Fixed - 14W




Square Bevel Trimless Fixed - 14W



 CUT-OUT : 68mm [2 3/4"] X 68mm [2 3/4"]



 CUT-OUT : 64.20mm [2.53"] X 64.20mm [2.53"]

*All Dimensions are millimeters (Inches) unless otherwise indicated.



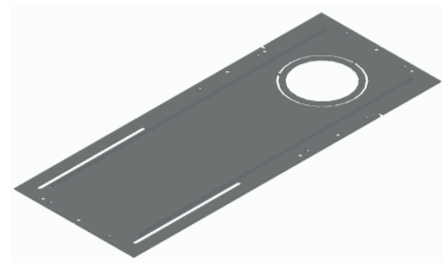
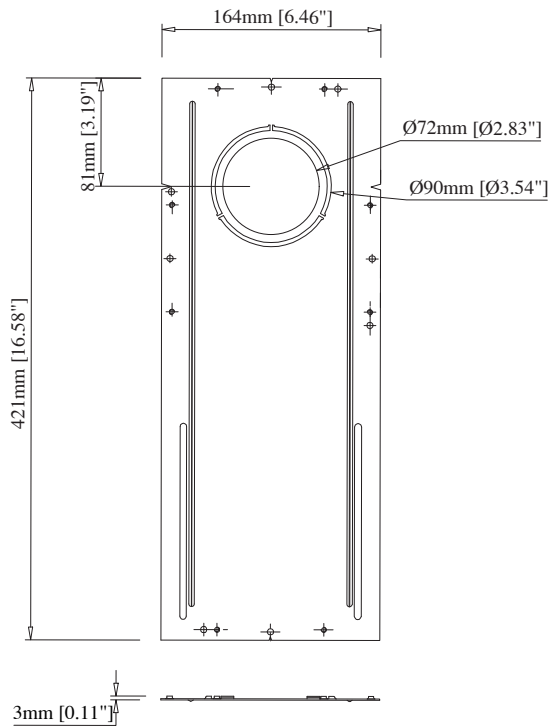


INSPIRA 2

Product Details:

New construction housing plate for Round Downlight

Part number - 503046



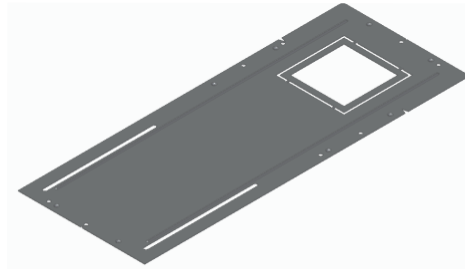
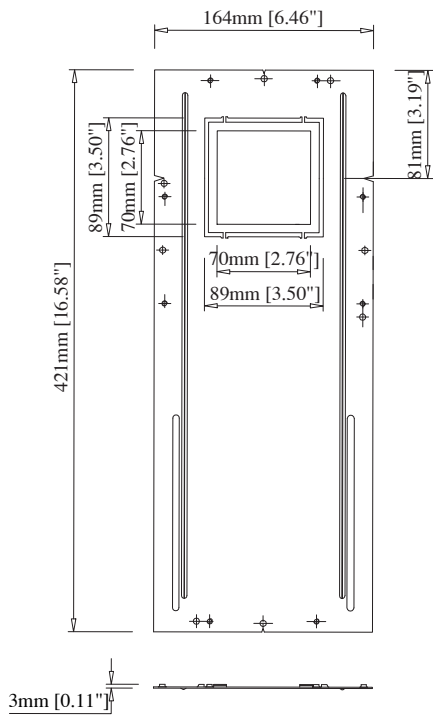


INSPIRA 2

Product Details:

New construction housing plate for Square Downlight

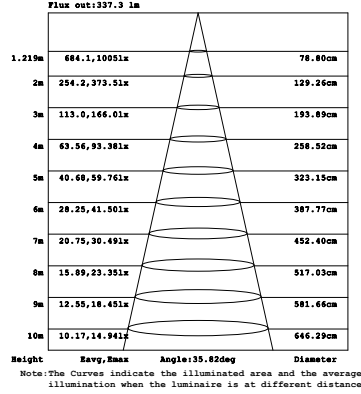
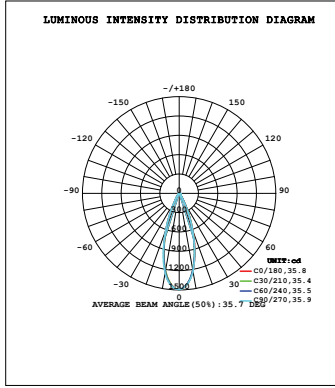
Part number - 503047



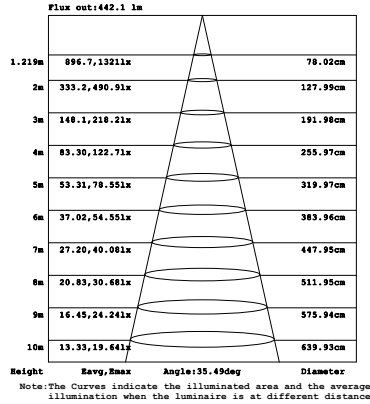
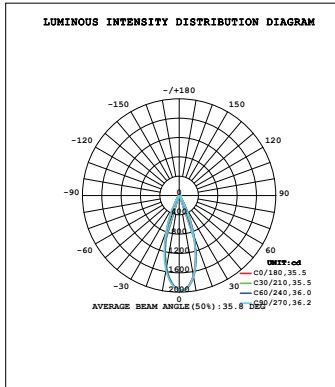
INSPIRA 2

Photometric:

Round Fixed -09W-36D



Round Fixed -14W-36D



Lighting Chart:

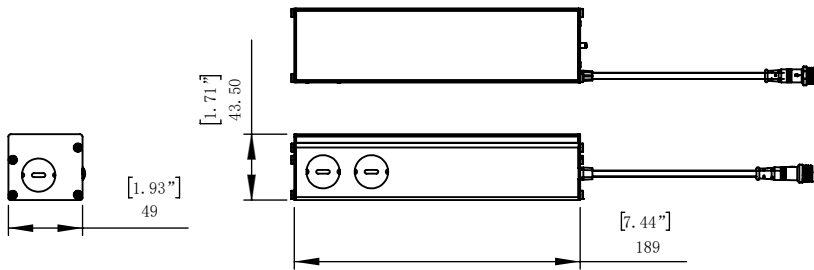
WATT	LUMENS	CCT	CRI
09W	700 lm	3000K	CRI90
14W	1200 lm	3000K	CRI90



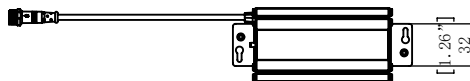
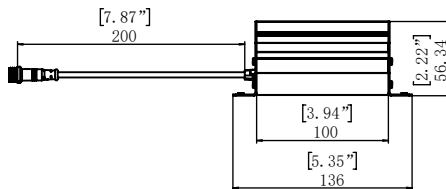
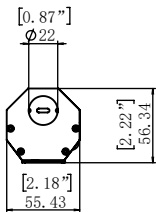


INSPIRA 2

Driver Details For New Construction & Remodel:



SKU Number	Wattage	Dimming
00149830	12W / 14W	0-10V [120/277V]
00124641	14W / 24W	0-10V [120/277V]
00225840	14W - 24W	TRIAC [120/277V]



SKU Number	Wattage	Dimming
00006791	9W	TRIAC [120V]
00006803	14W	TRIAC [120V]

*All Dimensions are [Inches] millimeters unless otherwise indicated.





INSPIRA 2

Technical Details:

Material	Aluminium
Trim Options	Trim / Trimless
Trim Style	Fixed
Trim Finish	White / Black / Custom
Lumens	Upto 1200lm
Wattage	09W / 14W
Efficacy	80 Lm/W
UGR	<19
CRI	90+
CCT	2700K / 3000K / 3500K / 4000K / 5000K 5CCT
Beam Angle	15° / 24° / 36° / 60°
Dimming	TRIAC / 0-10V
Voltage	120V / 120-277V
Life expectancy	LM 80 > 66,000 Hrs. / LM 70 > 66,000 Hrs.
Operating Temp.	-20°C ~ 40°C (-4°F ~ 104°F)
Housing	Non IC Rated / IC Rated / Remodel
Certification	ETL LISTED / DAMP RATED



Warranty



Damp Rated



TRIAC



Dimming

