

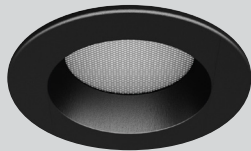
Type: _____ Qty: _____

Project: _____

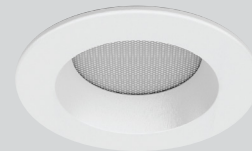


HELIUM LYTE

SHALLOW ROUND 3"



Round Black



Round White

Design Features:

- Shallow fixed 3" Downlight offers specification-grade performance and features, in a completely modular & field-configurable system.
- Made with high powered BRIDGELUX led chip that maintains high lumens per watt with 90 +CRI / Fixture comes with both Single CCT and 5 CCT options.
- Available in both TRIAC and 0-10V dimming.
- Standard remodel installation, new construction housing available.
- LED modules and drivers are easily replaceable.
- Modules are IC Rated available in wattage up to 10W without additional IC box.
- Extruded aluminium heat sink ensures optimal heat dissipation and LED life.
- 5 Year warranty.





SHALLOW ROUND 3”

Specs Code:

FIXTURE ID 1	TRIM FINISH 2	LUMENS/ WATT 3	LED OPTION 4	BEAM ANGLE 5
Shallow Round 3 Inch SHALLOW-RO3IN	White WH Black BLK Custom CSTM	L700 / 10W L70/10W	5CCT 5CCT	70 Degree 70D
DIMMING 6	HOUSING 7	VOLTAGE 8		
TRIAC TRIAC 0-10V DMV	New Construction NC IC Rated Housing IC Remodel RMOD	120V 120V 120-277V UNV		

Order Guide:

1	2	3	4	5	6
<input type="text"/>	<input type="text"/>	<input type="text"/>	<input type="text"/>	<input type="text"/>	<input type="text"/>
7	8				
<input type="text"/>	<input type="text"/>				

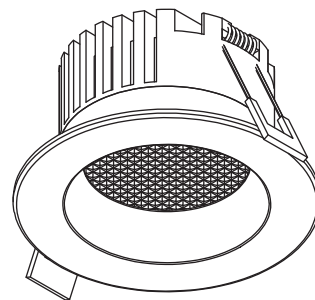
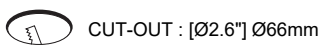
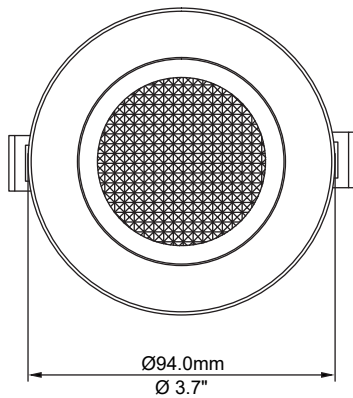
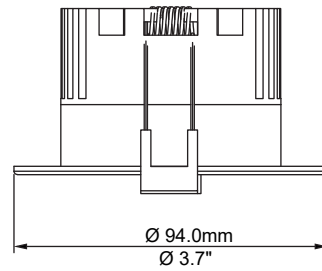
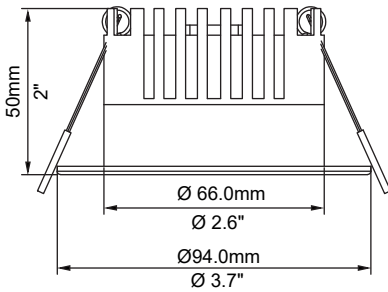
*Example : SHALLOW-RO3IN-BLK-L70/10-5CCT-70D-TRIAC-NC-UNV





SHALLOW ROUND 3"

Product Details:

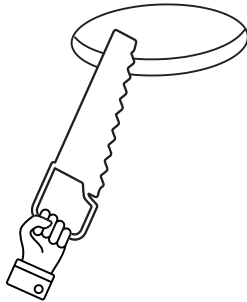


*All Dimensions are millimeters (Inches) unless otherwise indicated.

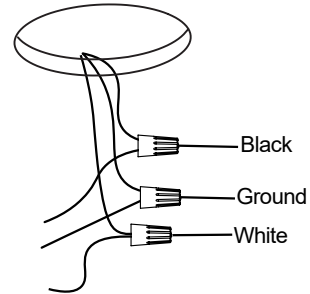


SHALLOW ROUND 3”

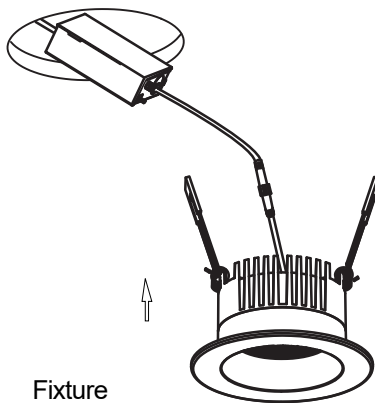
Mounting Details:



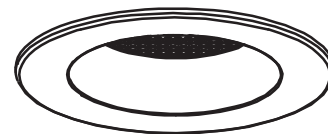
1. Cutting a mounting hole in the ceiling.



2. Connect supply wires to wires on fixture with wire nuts or push wires into Quick Connector. Connect white to white, black to black, and copper wire to copper wire as grounding connection.



3. Completing the installation by pushing the fixture into the mounting hole.



4. Finish the installation, turn on the power.



Warranty



Damp Rated



TRIAC



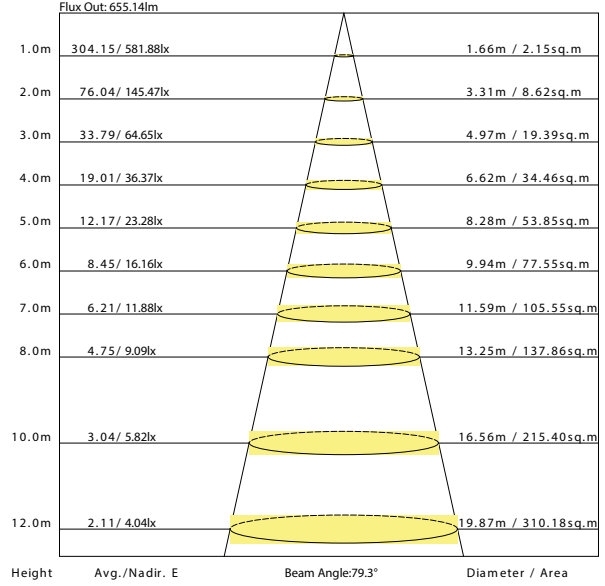
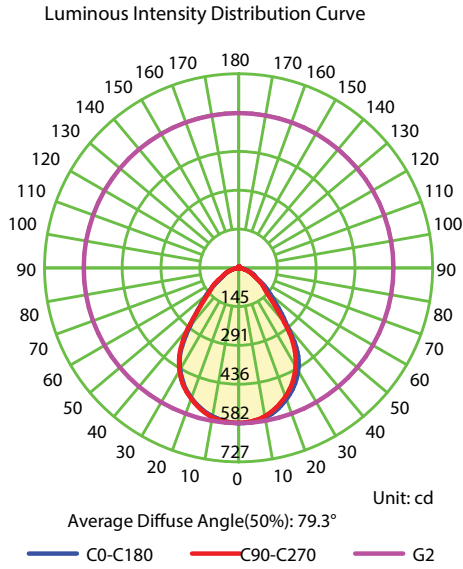
Dimming



Intertek

SHALLOW ROUND 3”

Photometric:



Lighting Chart:

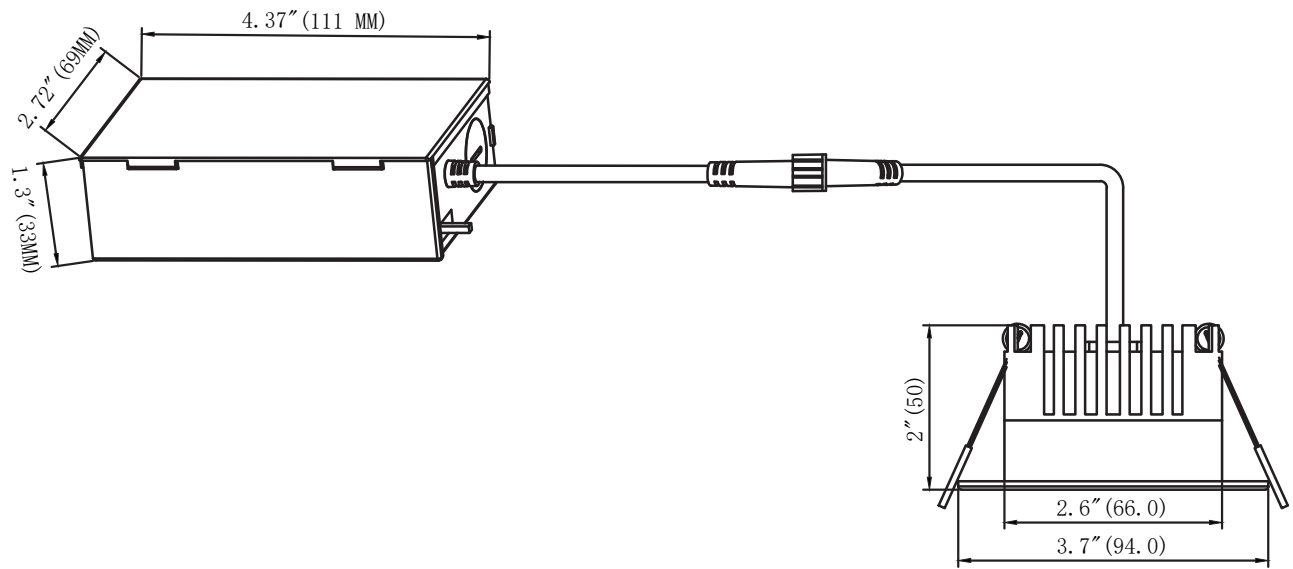
WATT	LUMENS	CCT	CRI
10W	700 lm	3000K	CRI90





SHALLOW ROUND 3"

Remote Driver Details:



Warranty



Damp Rated



TRIAC



Dimming



Intertek



SHALLOW ROUND 3”

Technical Details:

Material	Aluminium
Trim Options	Trim
Trim Style	Fixed
Trim Finish	White / Black
Lumens	Upto 700lm
Wattage	10W
Efficacy	70 Lm/W
UGR	<22
CRI	90+
CCT	5 CCT (2700K-5000K)
Beam Angle	70°
Dimming	TRIAC / 0-10V
Voltage	120V / 120-277V
Life expectancy	LM 80 > 66,000 Hrs. / LM 70 > 66,000 Hrs.
Operating Temp.	-20°C ~ 40°C (-4°F ~ 104°F)
Housing	Non IC Rated / IC Rated / Remodel
Certification	ETL LISTED / DAMP RATED



Warranty



Damp Rated



TRIAC



Dimming



Intertek