

Type: _____ Qty: _____

Project: _____



HELIUM LYTE

FLEXGLOW RGBW



Design Features:

- 4 in 1 with colours of red, green, blue and warm white.
- Flexible and cuttable every 80.0 X 53.3 mm and 76.2 X 50.8 mm.
- Long lifespan with great lumen maintenance.
- Create rich colour changing effect via controller.
- Back-lit lightbox with depth above 4cm, curved wall, ceiling etc.
- Waterproof: IP64 [Spray Glue Coated) / Nonwaterproof IP22 options available.
- 5 Year warranty indoor use .



Warranty



Dimming



DALI



Intertek



FLEXGLOW RGBW

Specs Code:

FIXTURE ID 1	MOUNTING 2	SHAPE 3	DIMENSIONS 4	LOCATION 5
Flexglow FLXG-RGBW RGBW	Surface SRF Recessed RCS	Rectangle REC Circle CIR Custom CSTM	Width' X Height' W' X H' Diameter DIA' Square Feet SQF	DRY DRY WET WET
LED OPTION 6		DIMMING 7	VOLTAGE 8	
Red R Green G Blue B White (3000K) W	Red+Green+Blue RGB Red+Green+Blue+White RGB+W	0-10V DMV DALI DALI	120V 120V 120-277V UNV	

Order Guide:

1	2	3	4	5	6
<input type="text"/>	<input type="text"/>	<input type="text"/>	<input type="text"/>	<input type="text"/>	<input type="text"/>
7	8				
<input type="text"/>	<input type="text"/>				

*Example : FLXG-RGBW-SRF-REC-XX'XX'-DRY-RGB+W-DMV-UNV

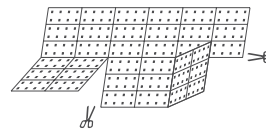
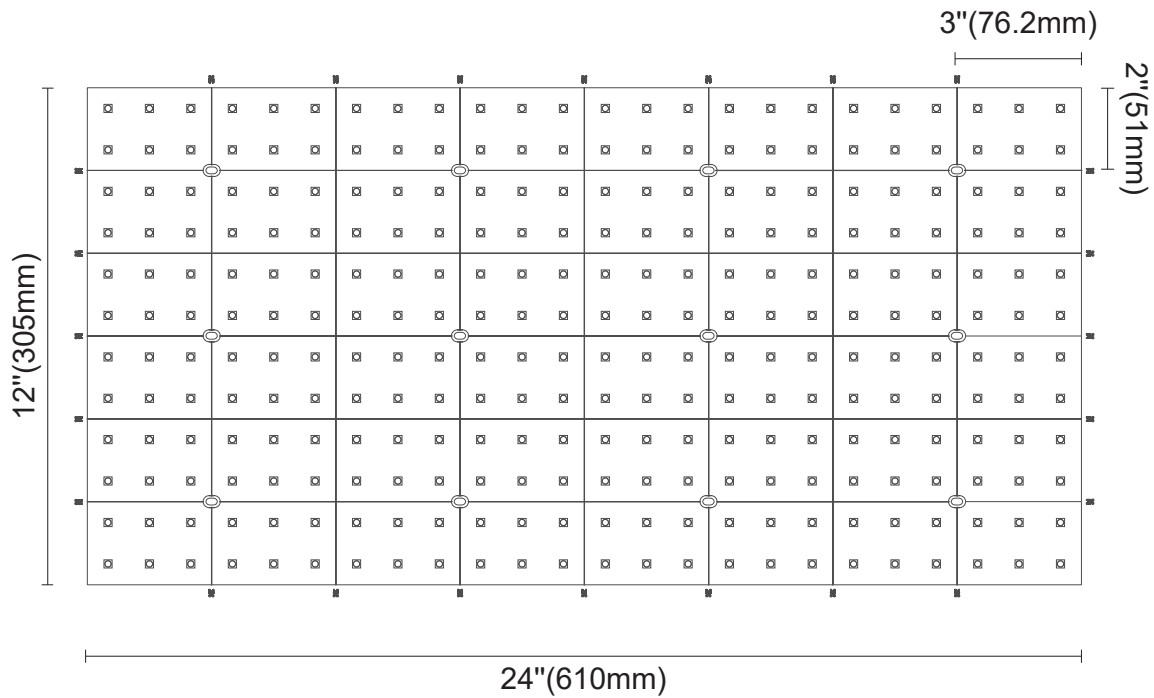




FLEXGLOW RGBW

Product Details:

Flexible Panel- FLXG-RGBW



Min section: Every individual LED 3" X 2" (76.2 X 51 MM)



Warranty



Dimming



DALI

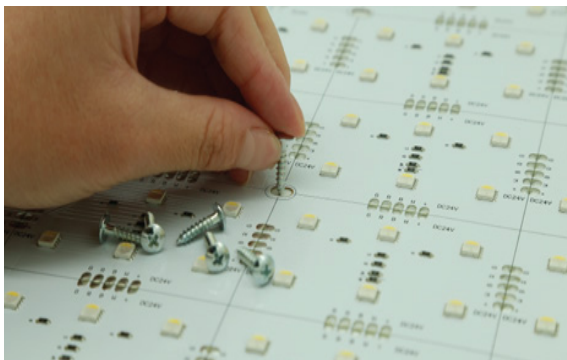
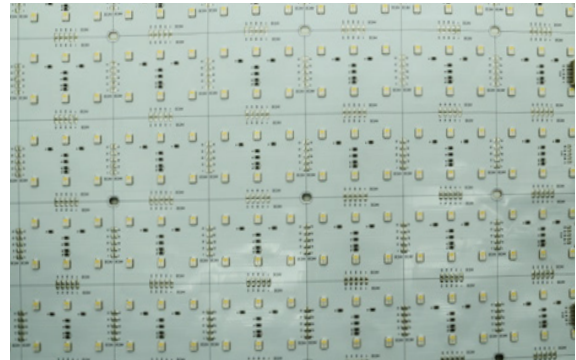


Intertek



FLEXGLOW RGBW

Mounting Details:



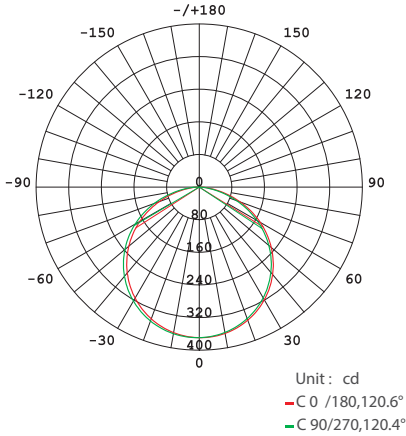
- Flexible panel
- Light box bottom



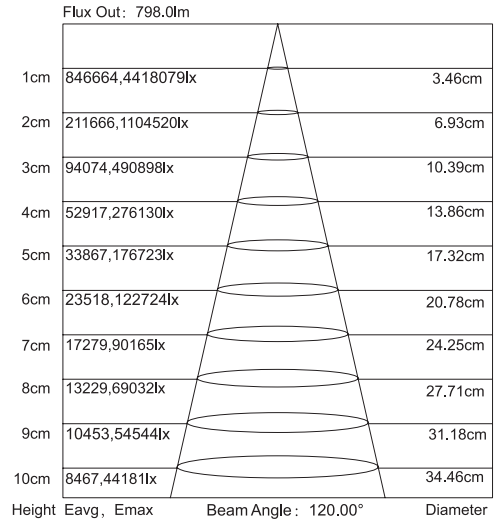
FLEXGLOW RGBW

Photometric:

FLEXGLOW RGBW-120.5D



AVERAGE BEAM ANGLE (50%): 120.5°



Note: The above data are tested with all RGBW lights on.

Lighting Chart:

SERIES	PRODUCT SIZE	LED QTY.(Pcs.)	WATT/PCs.	MIN. CUTTABLE LENGTH	MAX RUN(Pcs.)
FLXG-RGBW	24"x12" (610x305mm)	288	18W	3" X 2" (76.2 X 51mm)	2

Electrical Parameter:

CRI:80+

FLXG-RGBW					
Voltage	Light Colour	CCT/Wavelength	LM/pcs	LM/W	W/pcs
24V DC	R	620-630	296	-	11.5
	G	515-530	845	-	11.5
	B	460-470	171	-	11.5
	W	3000	1034	90	11.5
	R+G+B	100000+	1274	-	34.5
	RGB+W	100000+	2200	-	46








FLEXGLOW RGBW

Technical Details:

Material	Flexible pcb sheet
Size	24"X 12" (610x305mm)
Min. Section	Every individual LED
Lumens	Upto 2200lm/Pc.
Wattage	11.5W / 34.5W / 46W per Pcs.
Efficacy	Upto 90 Lm/W (White LED)
CRI	80+
CCT	3000K (White LED)
LED	SMD5050
Beam Angle	120°
Working Temp.	-20~+60°C
Storage Temp.	-20~+70°C
Dimming	0-10V / DALI
Voltage	120V / 120-277V
Certification	ETL LISTED

Accessories & Tools:

 Power Cable	 Joint Line	 Self Tapping Screw
 Built-in-Controller		 Power Cable For Controller

